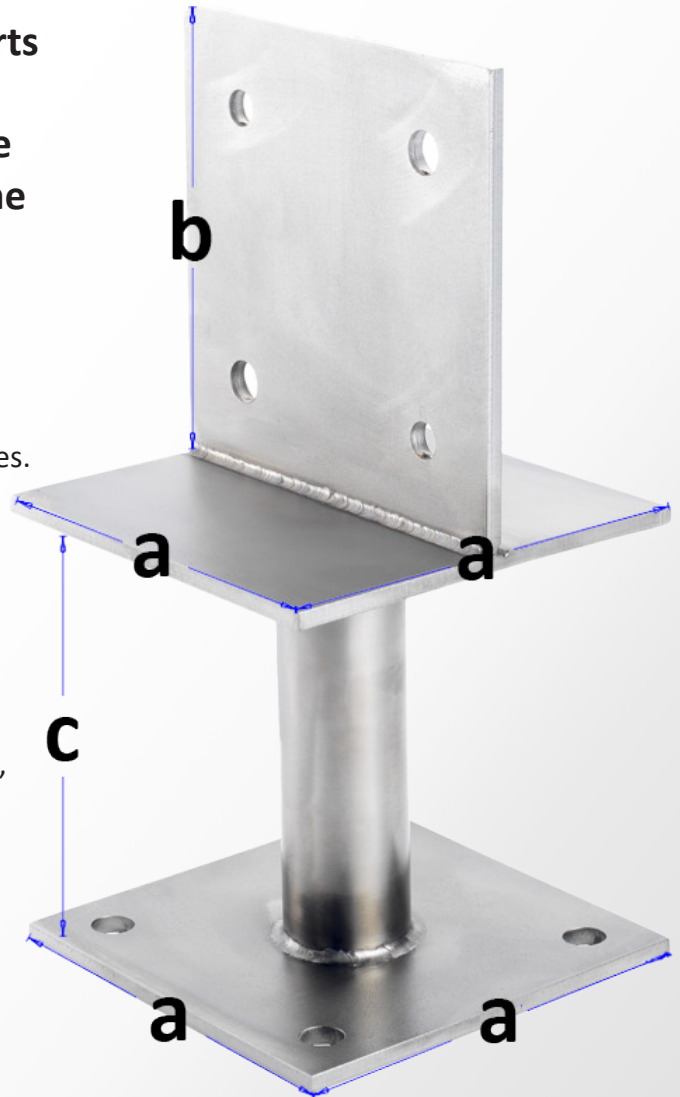


STC- CB / CENTER BLADE POST SUPPORT

Stainless UK's Centre Blade Post Supports are ideal for coastal construction. Their hidden blade, which is concealed by the timber post, provides a neat finish at the base of the post.

SPECIFICATION

- Mechanical post fixing for timber framed structures.
- All products manufactured in accordance with BS EN 1090-2 Load Bearing and Structural Steel Components.
- Post support either bolted on to concrete or concreted in.
- 130mm - 300mm height range.
- Available in Grade 304 and 316 Stainless Steel.
- Full range of accessories from threaded end studs, rebar, throughbolts, pig nose connectors and brackets.



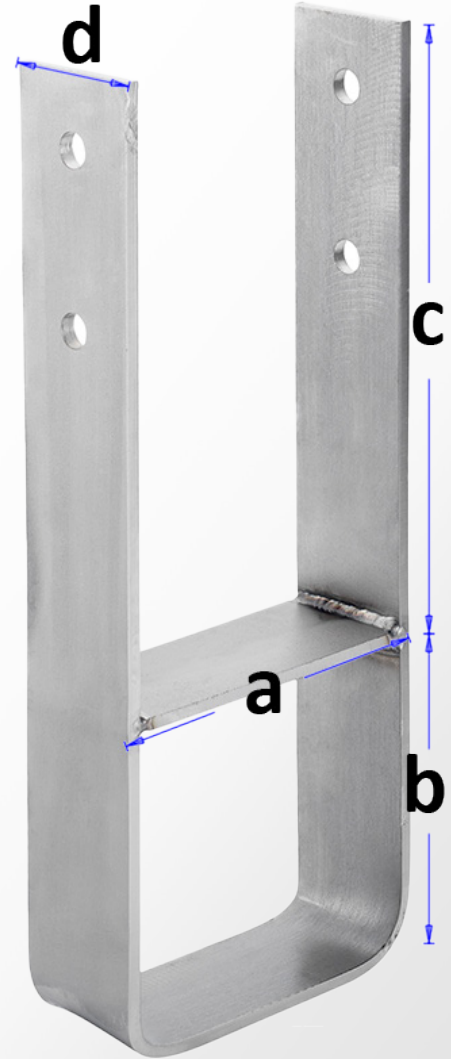
Center Blade Post Anchor							
Product Code	Top plate and Base plate A (mm)	Top blade Plate B (mm)	Plate Thickness (mm)	Base Hight C (mm)	Base Hole Sizes (mm)	Blade Hole Sizes (mm)	Tube Diam / wall thickness (mm)
STC-CB90130	90 x 90	90 x 90	4	130	M10 / 12	M12 / 14	42.2 / 4.85
STC-CB90300	90 x 90	90 x 90	4	300	M10 / 12	M12 / 14	42.2 / 4.85
STC-CB110130	110 x 110	110 x 110	4	130	M10 / 12	M12 / 14	42.2 / 4.85
STC-CB110300	110 x 110	110 x 110	4	300	M10 / 12	M12 / 14	42.2 / 4.85
STC-CB140130	140 x 140	140 x 140	4	130	M12 / 14	M12 / 14	42.2 / 4.85
STC-CB140300	140 x 140	140 x 140	4	300	M12 / 14	M12 / 14	42.2 / 4.85
STC-CB150130	150 x 150	150 x 150	5	130	M12 / 14	M12 / 14	42.2 / 4.85
STC-CB150300	150 x 150	150 x 150	5	300	M12 / 14	M12 / 14	42.2 / 4.85

STC- CY / CYCLONIC POST SUPPORT

Stainless UK's Cyclonic Post Supports are ideal for construction in windy locations. U shaped base to be cast into concrete

SPECIFICATION

- Mechanical post fixing for timber framed structures.
- All products manufactured in accordance with BS EN 1090-2 Load Bearing and Structural Steel Components
- Post support set in concrete.
- 500 mm - 750mm height range
- Available in Grade 304 and 316 Stainless Steel
- Full range of accessories from threaded end studs and rebar, throughbolts, pig nose connectors and brackets.
- Bespoke products available.



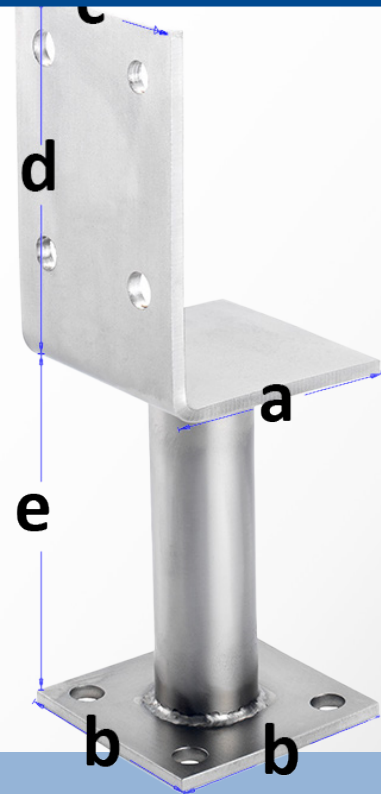
CYCLONIC POST SUPPORT							
Product Code	Stirrup Width A (mm)	Base Height B (mm)	Stirrup Height C (mm)	Stirrup Length D (mm)	Plate Thickness (mm)	No of holes in stirrup	Stirrup Hole Sizes (mm)
STC-CY70300	70	300	200	50	6	4	M10 / 12
STC-CY70450	70	450	200	50	6	4	M10 / 12
STC-CY70500	70	500	200	50	6	4	M10 / 12
STC-CY70600	70	600	200	50	6	4	M10 / 12
STC-CY100300	100	300	200	50	6	4	M10 / 12
STC-CY100450	100	450	200	50	6	4	M10 / 12
STC-CY100500	100	500	200	50	6	4	M10 / 12
STC-CY100600	100	600	200	50	6	4	M10 / 12
STC-CY150300	150	300	200	50	6	4	M10 / 12
STC-CY150450	150	450	200	50	6	4	M10 / 12
STC-CY150500	150	500	200	50	6	4	M10 / 12
STC-CY150600	150	600	200	50	6	4	M10 / 12

STC- HC / HALF CUP SHOE POST SUPPORT

Stainless UK's Half Cup Shoe Post Support provide a solution when access can be an issue during installation.

SPECIFICATION

- Mechanical post fixing for timber framed structures.
- All products manufactured in accordance with BS EN 1090-2 Load Bearing and Structural Steel Components.
- Post support either bolted onto concrete or concreted in.
- 500 mm - 750mm height range.
- Available in Grade 304 and 316 Stainless Steel.
- Full range of accessories from threaded end studs and rebar, throughbolts, pig nose connectors and brackets.
- Bespoke products available.



HALF CUP POST SUPPORT

Product Code	Stirrup Width A (mm)	Base plate B (mm)	Cup Length C (mm)	Cup Height D (mm)	Plate Thickness (mm)	No. of holes in base plate	No of holes in stirrup	Base Height E (mm)	Base Hole Sizes (mm)	Saddle Hole Sizes (mm)	Tube Diam / wall thickness (mm)
STC-HC9075	90	90 x 90	75	105	6	4	4	75	M10 / 12	M12 / 14	33.4 / 3.38
STC-HC90130	90	90 x 90	75	105	6	4	4	130	M10 / 12	M12 / 14	33.4 / 3.38
STC-HC90150	90	90 x 90	75	105	6	4	4	150	M10 / 12	M12 / 14	33.4 / 3.38
STC-HC90200	90	90 x 90	75	105	6	4	4	200	M10 / 12	M12 / 14	33.4 / 3.38
STC-HC90250	90	90 x 90	75	105	6	4	4	250	M10 / 12	M12 / 14	33.4 / 3.38
STC-HC90300	90	90 x 90	75	105	6	4	4	300	M10 / 12	M12 / 14	33.4 / 3.38
STC-HC90375	90	90 x 90	75	105	6	4	4	375	M10 / 12	M12 / 14	33.4 / 3.38
STC-HC90450	90	90 x 90	75	105	6	4	4	450	M10 / 12	M12 / 14	33.4 / 3.38
STC-HC90600	90	90 x 90	75	105	6	4	4	600	M10 / 12	M12 / 14	33.4 / 3.38

Product Code	Stirrup Size A (mm)	Base plate B (mm)	Stirrup Width C (mm)	Stirrup Height D (mm)	Plate Thickness (mm)	No. of holes in base plate	No of holes in stirrup	Base Height E (mm)	Base Hole Sizes (mm)	Saddle Hole Sizes (mm)	Tube Diam / wall thickness (mm)
STC-HC10075	100	100 x 100	85	105	6	4	4	75	M10 / 12	M12 / 14	33.4 / 3.38
STC-HC100130	100	100 x 100	85	105	6	4	4	130	M10 / 12	M12 / 14	33.4 / 3.38
STC-HC100150	100	100 x 100	85	105	6	4	4	150	M10 / 12	M12 / 14	33.4 / 3.38
STC-HC100200	100	100 x 100	85	105	6	4	4	200	M10 / 12	M12 / 14	33.4 / 3.38
STC-HC100250	100	100 x 100	85	105	6	4	4	250	M10 / 12	M12 / 14	33.4 / 3.38
STC-HC100300	100	100 x 100	85	105	6	4	4	300	M10 / 12	M12 / 14	33.4 / 3.38
STC-HC100450	100	100 x 100	85	105	6	4	4	450	M10 / 12	M12 / 14	33.4 / 3.38
STC-HC100600	100	100 x 100	85	105	6	4	4	600	M10 / 12	M12 / 14	33.4 / 3.38

Product Code	Stirrup Size A (mm)	Base plate B (mm)	Stirrup Width C (mm)	Stirrup Height D (mm)	Plate Thickness (mm)	No. of holes in base plate	No of holes in stirrup	Base Height E (mm)	Base Hole Sizes (mm)	Saddle Hole Sizes (mm)	Tube Diam / wall thickness (mm)
STC-HC115130	115	100	95	105	6	4	4	130	M12 / 14	M12 / 14	33.4 / 3.38
STC-HC115200	115	100	95	105	6	4	4	200	M12 / 14	M12 / 14	33.4 / 3.38
STC-HC115300	115	100	95	105	6	4	4	300	M12 / 14	M12 / 14	33.4 / 3.38
STC-HC115450	115	100	95	105	6	4	4	450	M12 / 14	M12 / 14	33.4 / 3.38

STC-HC / HALF CUP SHOE POST SUPPORT

Product Code	Stirrup Size A (mm)	Base plate B (mm)	Stirrup Width C (mm)	Stirrup Hight D (mm)	Plate Thickness (mm)	No. of holes in base plate	No of holes in stirrup	Base Hight E (mm)	Base Hole Sizes (mm)	Saddle Hole Sizes (mm)	Tube Diam / wall thickness (mm)
STC-HC125130	125	110	105	105	6	4	4	130	M12 / 14	M16 / 18	42.2 / 3.56
STC-HC125150	125	110	105	105	6	4	4	150	M12 / 14	M16 / 18	42.2 / 3.56
STC-HC125200	125	110	105	105	6	4	4	200	M12 / 14	M16 / 18	42.2 / 3.56
STC-HC125300	125	110	105	105	6	4	4	300	M12 / 14	M16 / 18	42.2 / 3.56
STC-HC125450	125	110	105	105	6	4	4	450	M12 / 14	M16 / 18	42.2 / 3.56

Product Code	Stirrup Size A (mm)	Base plate B (mm)	Stirrup Width C (mm)	Stirrup Hight D (mm)	Plate Thickness (mm)	No. of holes in base plate	No of holes in stirrup	Base Hight E (mm)	Base Hole Sizes (mm)	Saddle Hole Sizes (mm)	Tube Diam / wall thickness (mm)
STC-HC135130	135	110	115	105	6	4	4	130	M12 / 14	M16 / 18	42.2 / 3.56
STC-HC135150	135	110	115	105	6	4	4	150	M12 / 14	M16 / 18	42.2 / 3.56
STC-HC135200	135	110	115	105	6	4	4	200	M12 / 14	M16 / 18	42.2 / 3.56
STC-HC135300	135	110	115	105	6	4	4	300	M12 / 14	M16 / 18	42.2 / 3.56
STC-HC135450	135	110	115	105	6	4	4	450	M12 / 14	M16 / 18	42.2 / 3.56

Product Code	Stirrup Size A (mm)	Base plate B (mm)	Stirrup Width C (mm)	Stirrup Hight D (mm)	Plate Thickness (mm)	No. of holes in base plate	No of holes in stirrup	Base Hight E (mm)	Base Hole Sizes (mm)	Saddle Hole Sizes (mm)	Tube Diam / wall thickness (mm)
STC-HC140200	140	110	120	105	6	4	4	200	M12 / 14	M16 / 18	42.2 / 3.56
STC-HC140250	140	110	120	105	6	4	4	250	M12 / 14	M16 / 18	42.2 / 3.56
STC-HC140300	140	110	120	105	6	4	4	300	M12 / 14	M16 / 18	42.2 / 3.56
STC-HC140400	140	110	120	105	6	4	4	400	M12 / 14	M16 / 18	42.2 / 3.56
STC-HC140500	140	110	120	105	6	4	4	500	M12 / 14	M16 / 18	42.2 / 3.56

Product Code	Stirrup Size A (mm)	Base plate B (mm)	Stirrup Width C (mm)	Stirrup Hight D (mm)	Plate Thickness (mm)	No. of holes in base plate	No of holes in stirrup	Base Hight E (mm)	Base Hole Sizes (mm)	Saddle Hole Sizes (mm)	Tube Diam / wall thickness (mm)
STC-HC150200	150	120	130	125	6	4	4	200	M12 / 14	M16 / 18	48.3 / 3.68
STC-HC150250	150	120	130	125	6	4	4	250	M12 / 14	M16 / 18	48.3 / 3.68
STC-HC150300	150	120	130	125	6	4	4	300	M12 / 14	M16 / 18	48.3 / 3.68
STC-HC150400	150	120	130	125	6	4	4	400	M12 / 14	M16 / 18	48.3 / 3.68
STC-HC150500	150	120	130	125	6	4	4	500	M12 / 14	M16 / 18	48.3 / 3.68

Product Code	Stirrup Size A (mm)	Base plate B (mm)	Stirrup Width C (mm)	Stirrup Hight D (mm)	Plate Thickness (mm)	No. of holes in base plate	No of holes in stirrup	Base Hight E (mm)	Base Hole Sizes (mm)	Saddle Hole Sizes (mm)	Tube Diam / wall thickness (mm)
STC-HC180250	180	150	150	125	6	4	4	250	M12 / 14	M20 / 22	48.3 / 3.68
STC-HC180300	180	150	150	125	6	4	4	300	M12 / 14	M20 / 22	48.3 / 3.68
STC-HC180400	180	150	150	125	6	4	4	400	M12 / 14	M20 / 22	48.3 / 3.68
STC-HC180500	180	150	150	125	6	4	4	500	M12 / 14	M20 / 22	48.3 / 3.68

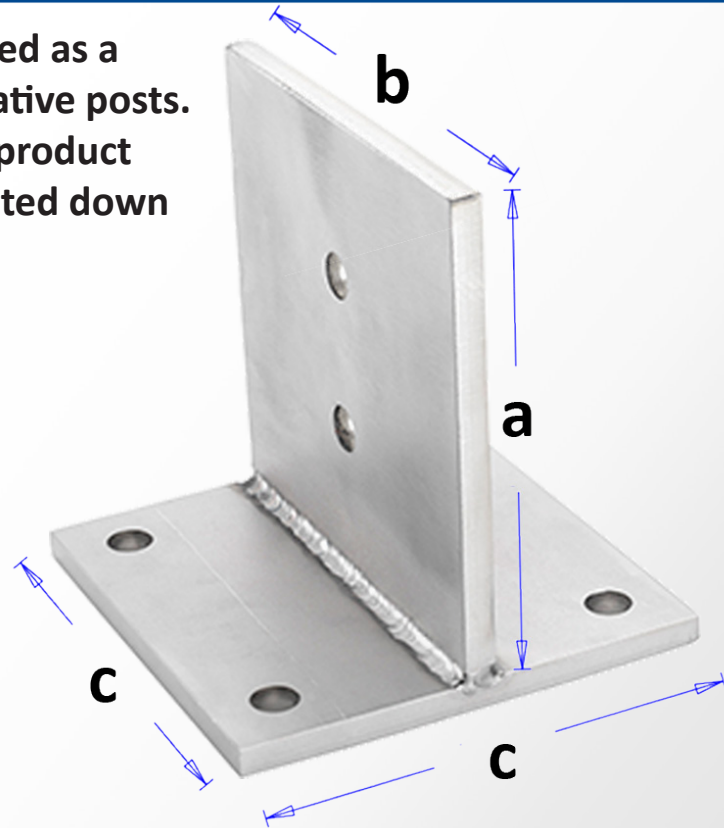
Product Code	Stirrup Size A (mm)	Base plate B (mm)	Stirrup Width C (mm)	Stirrup Hight D (mm)	Plate Thickness (mm)	No. of holes in base plate	No of holes in stirrup	Base Hight E (mm)	Base Hole Sizes (mm)	Saddle Hole Sizes (mm)	Tube Diam / wall thickness (mm)
STC-HC200250	200	170	170	125	6	4	4	250	M12 / 14	M20 / 22	60.3 / 3.91
STC-HC200300	200	170	170	125	6	4	4	300	M12 / 14	M20 / 22	60.3 / 3.91
STC-HC200400	200	170	170	125	6	4	4	400	M12 / 14	M20 / 22	60.3 / 3.91
STC-HC200500	200	170	170	125	6	4	4	500	M12 / 14	M20 / 22	60.3 / 3.91

STC- CB / T BLADE POST SUPPORT

Stainless UK T-Blade Post Supports are used as a concealed post connector for large decorative posts. Its 10mm steel thickness throughout the product offers a strong, solid connection to be bolted down onto a concrete base.

APPLICATION & SPECIFICATION

- Mechanical post fixing for timber framed structures.
- All products manufactured in accordance with BS EN 1090-2 Load Bearing and Structural Steel Components.
- Quick & Easy to Install.
- Concealed Exposed Base Bolts.
- Available in Grade 304 and 316 Stainless Steel.
- Full range of accessories from threaded end studs and rebar, throughbolts, pig nose connectors and brackets.



T Blade Post Support								
Product Code	Blade Height A (mm)	Blade width B (mm)	Base Plate C (mm)	Plate Thickness (mm)	No. of holes in base	No. of holes in blade	Base Hole Sizes (mm)	Blade Hole Sizes (mm)
STC-TB90	130	90	90 x 90	10	2	2	M12 / 14	M12 / 14
STC-TB100	140	100	100 x 100	10	2	2	M12 / 14	M12 / 14
STC-TB115	155	115	115 x 115	10	2	2	M12 / 14	M12 / 14
STC-TB125	165	125	125 x 125	10	2	2	M12 / 14	M12 / 14
STC-TB135	175	135	135 x 135	10	4	2	M12 / 14	M16 / 18
STC-TB140	180	140	140 x 140	10	4	4	M12 / 14	M16 / 18
STC-TB150	190	150	150 x 150	10	4	4	M12 / 14	M16 / 18
STC-TB170	210	170	170 x 170	10	4	4	M16 / 18	M16 / 18
STC-TB180	220	180	180 x 180	10	4	4	M16 / 18	M16 / 18
STC-TB200	240	200	200 x 200	10	4	4	M16 / 18	M20 / 22
STC-TB240	280	240	240 x 240	10	4	4	M16 / 18	M20 / 22

STAINLESS CAPS

These 304 Stainless Steel Caps are designed to fit over the bolted down T Blade Post Support before the timber is installed concealing the base bolts and providing a neat finish.



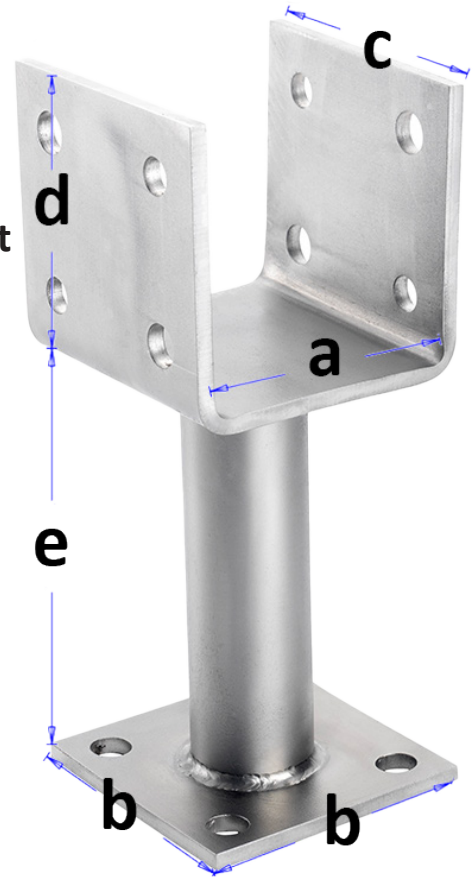
T Blade Post Anchor Caps				
Product Code	Size (mm)	Cap Height (mm)	To Suit Base Size (mm)	Suits Post Size (mm)
STC-TB90100CAP	105 x 105	30	80 x 80	90 - 100
STC-TB115140CAP	120 x 120	30	110 x 110	115 - 140
STC-TB150180CAP	150 x 150	30	140 x 140	150 - 180
STC-TB180200CAP	190 x 190	30	180 x 180	180 - 250
STC-TB250350CAP	250 x 250	40	240 x 240	250 - 350

STC- CB / FULL STIRRUP WITH STEM POST SUPPORT

STC stainless steel post shoes are suitable for bolting onto and setting into concrete. STC have the largest range of stainless steel post anchors in the UK, we have leg sizes ranging from 75mm – 600mm and full stirrup saddle sizes to suit timber posts from 90mm up to 200mm square. Bespoke sizes available on request.

APPLICATION & SPECIFICATION

- 6.00mm Thick Stainless Steel.
- Extra Heavy Duty Shaft.
- Bolt Holes.
- Welded Construction
- 304 Stainless Steel & 316 Stainless Steel Available
- Post Stirrup to suit from 90mm up to 200mm square posts
- Post Support Leg Sizes from 75mm to 600mm
- Post support either bolted onto concrete or concreted in.



TOP CUP SHOW WITH STEM POST SUPPORT

Product Code	Stirrup Size A (mm)	Base plate B (mm)	Stirrup Width C (mm)	Stirrup Height D (mm)	Plate Thickness (mm)	No. of holes in base plate	No of holes in stirrup	Base Height E (mm)	Base Hole Sizes (mm)	Saddle Hole Sizes (mm)	Tube Diam / wall thickness (mm)
STC-FS9075	90	90 x 90	75	105	6	4	2	75	M10 / 12	M12 / 14	33.4 / 3.38
STC-FS90130	90	90 x 90	75	105	6	4	2	130	M10 / 12	M12 / 14	33.4 / 3.38
STC-FS90150	90	90 x 90	75	105	6	4	2	150	M10 / 12	M12 / 14	33.4 / 3.38
STC-FS90200	90	90 x 90	75	105	6	4	2	200	M10 / 12	M12 / 14	33.4 / 3.38
STC-FS90250	90	90 x 90	75	105	6	4	2	250	M10 / 12	M12 / 14	33.4 / 3.38
STC-FS90300	90	90 x 90	75	105	6	4	2	300	M10 / 12	M12 / 14	33.4 / 3.38
STC-FS90375	90	90 x 90	75	105	6	4	2	375	M10 / 12	M12 / 14	33.4 / 3.38
STC-FS90450	90	90 x 90	75	105	6	4	2	450	M10 / 12	M12 / 14	33.4 / 3.38
STC-FS90600	90	90 x 90	75	105	6	4	2	600	M10 / 12	M12 / 14	33.4 / 3.38
Product Code	Stirrup Size A (mm)	Base plate B (mm)	Stirrup Width C (mm)	Stirrup Height D (mm)	Plate Thickness (mm)	No. of holes in base plate	No of holes in stirrup	Base Height E (mm)	Base Hole Sizes (mm)	Saddle Hole Sizes (mm)	Tube Diam / wall thickness (mm)
STC-FS10075	100	100 x 100	85	105	6	4	2	75	M10 / 12	M12 / 14	33.4 / 3.38
STC-FS100130	100	100 x 100	85	105	6	4	2	130	M10 / 12	M12 / 14	33.4 / 3.38
STC-FS100150	100	100 x 100	85	105	6	4	2	150	M10 / 12	M12 / 14	33.4 / 3.38
STC-FS100200	100	100 x 100	85	105	6	4	2	200	M10 / 12	M12 / 14	33.4 / 3.38
STC-FS100250	100	100 x 100	85	105	6	4	2	250	M10 / 12	M12 / 14	33.4 / 3.38
STC-FS100300	100	100 x 100	85	105	6	4	2	300	M10 / 12	M12 / 14	33.4 / 3.38
STC-FS100450	100	100 x 100	85	105	6	4	2	450	M10 / 12	M12 / 14	33.4 / 3.38
STC-FS100600	100	100 x 100	85	105	6	4	2	600	M10 / 12	M12 / 14	33.4 / 3.38
Product Code	Stirrup Size A (mm)	Base plate B (mm)	Stirrup Width C (mm)	Stirrup Height D (mm)	Plate Thickness (mm)	No. of holes in base plate	No of holes in stirrup	Base Height E (mm)	Base Hole Sizes (mm)	Saddle Hole Sizes (mm)	Tube Diam / wall thickness (mm)
STC-FS115130	115	100	95	105	6	4	2	130	M12 / 14	M12 / 14	33.4 / 3.38
STC-FS115200	115	100	95	105	6	4	2	200	M12 / 14	M12 / 14	33.4 / 3.38
STC-FS115300	115	100	95	105	6	4	2	300	M12 / 14	M12 / 14	33.4 / 3.38
STC-FS115450	115	100	95	105	6	4	2	450	M12 / 14	M12 / 14	33.4 / 3.38

STC- CB / TOP CUP SHOW WITH STEM POST

TOP CUP SHOW WITH STEM POST SUPPORT cont

Product Code	Stirrup Size A (mm)	Base plate B (mm)	Stirrup Width C (mm)	Stirrup Height D (mm)	Plate Thickness (mm)	No. of holes in base plate	No of holes in stirrup	Base Height E (mm)	Base Hole Sizes (mm)	Saddle Hole Sizes (mm)	Tube Diam / wall thickness (mm)
STC-FS125130	125	110	105	105	6	4	2	130	M12 / 14	M16 / 18	42.2 / 3.56
STC-FS125150	125	110	105	105	6	4	2	150	M12 / 14	M16 / 18	42.2 / 3.56
STC-FS125200	125	110	105	105	6	4	2	200	M12 / 14	M16 / 18	42.2 / 3.56
STC-FS125300	125	110	105	105	6	4	2	300	M12 / 14	M16 / 18	42.2 / 3.56
STC-FS125450	125	110	105	105	6	4	2	450	M12 / 14	M16 / 18	42.2 / 3.56
Product Code	Stirrup Size A (mm)	Base plate B (mm)	Stirrup Width C (mm)	Stirrup Height D (mm)	Plate Thickness (mm)	No. of holes in base plate	No of holes in stirrup	Base Height E (mm)	Base Hole Sizes (mm)	Saddle Hole Sizes (mm)	Tube Diam / wall thickness (mm)
STC-FS135130	135	110	115	105	6	4	2	130	M12 / 14	M16 / 18	42.2 / 3.56
STC-FS135150	135	110	115	105	6	4	2	150	M12 / 14	M16 / 18	42.2 / 3.56
STC-FS135200	135	110	115	105	6	4	2	200	M12 / 14	M16 / 18	42.2 / 3.56
STC-FS135300	135	110	115	105	6	4	2	300	M12 / 14	M16 / 18	42.2 / 3.56
STC-FS135450	135	110	115	105	6	4	2	450	M12 / 14	M16 / 18	42.2 / 3.56
Product Code	Stirrup Size A (mm)	Base plate B (mm)	Stirrup Width C (mm)	Stirrup Height D (mm)	Plate Thickness (mm)	No. of holes in base plate	No of holes in stirrup	Base Height E (mm)	Base Hole Sizes (mm)	Saddle Hole Sizes (mm)	Tube Diam / wall thickness (mm)
STC-FS140200	140	110	120	105	6	4	2	200	M12 / 14	M16 / 18	42.2 / 3.56
STC-FS140250	140	110	120	105	6	4	2	250	M12 / 14	M16 / 18	42.2 / 3.56
STC-FS140300	140	110	120	105	6	4	2	300	M12 / 14	M16 / 18	42.2 / 3.56
STC-FS140400	140	110	120	105	6	4	2	400	M12 / 14	M16 / 18	42.2 / 3.56
STC-FS140500	140	110	120	105	6	4	2	500	M12 / 14	M16 / 18	42.2 / 3.56
Product Code	Stirrup Size A (mm)	Base plate B (mm)	Stirrup Width C (mm)	Stirrup Height D (mm)	Plate Thickness (mm)	No. of holes in base plate	No of holes in stirrup	Base Height E (mm)	Base Hole Sizes (mm)	Saddle Hole Sizes (mm)	Tube Diam / wall thickness (mm)
STC-FS150200	150	120	130	125	6	4	2	200	M12 / 14	M16 / 18	48.3 / 3.68
STC-FS150250	150	120	130	125	6	4	2	250	M12 / 14	M16 / 18	48.3 / 3.68
STC-FS150300	150	120	130	125	6	4	2	300	M12 / 14	M16 / 18	48.3 / 3.68
STC-FS150400	150	120	130	125	6	4	2	400	M12 / 14	M16 / 18	48.3 / 3.68
STC-FS150500	150	120	130	125	6	4	2	500	M12 / 14	M16 / 18	48.3 / 3.68
Product Code	Stirrup Size A (mm)	Base plate B (mm)	Stirrup Width C (mm)	Stirrup Height D (mm)	Plate Thickness (mm)	No. of holes in base plate	No of holes in stirrup	Base Height E (mm)	Base Hole Sizes (mm)	Saddle Hole Sizes (mm)	Tube Diam / wall thickness (mm)
STC-FS180250	180	150	150	125	6	4	4	250	M12 / 14	M20 / 22	48.3 / 3.68
STC-FS180300	180	150	150	125	6	4	4	300	M12 / 14	M20 / 22	48.3 / 3.68
STC-FS180400	180	150	150	125	6	4	4	400	M12 / 14	M20 / 22	48.3 / 3.68
STC-FS180500	180	150	150	125	6	4	4	500	M12 / 14	M20 / 22	48.3 / 3.68
Product Code	Stirrup Size A (mm)	Base plate B (mm)	Stirrup Width C (mm)	Stirrup Height D (mm)	Plate Thickness (mm)	No. of holes in base plate	No of holes in stirrup	Base Height E (mm)	Base Hole Sizes (mm)	Saddle Hole Sizes (mm)	Tube Diam / wall thickness (mm)
STC-FS200250	200	170	170	125	6	4	4	250	M12 / 14	M20 / 22	60.3 / 3.91
STC-FS200300	200	170	170	125	6	4	4	300	M12 / 14	M20 / 22	60.3 / 3.91
STC-FS200400	200	170	170	125	6	4	4	400	M12 / 14	M20 / 22	60.3 / 3.91
STC-FS200500	200	170	170	125	6	4	4	500	M12 / 14	M20 / 22	60.3 / 3.91